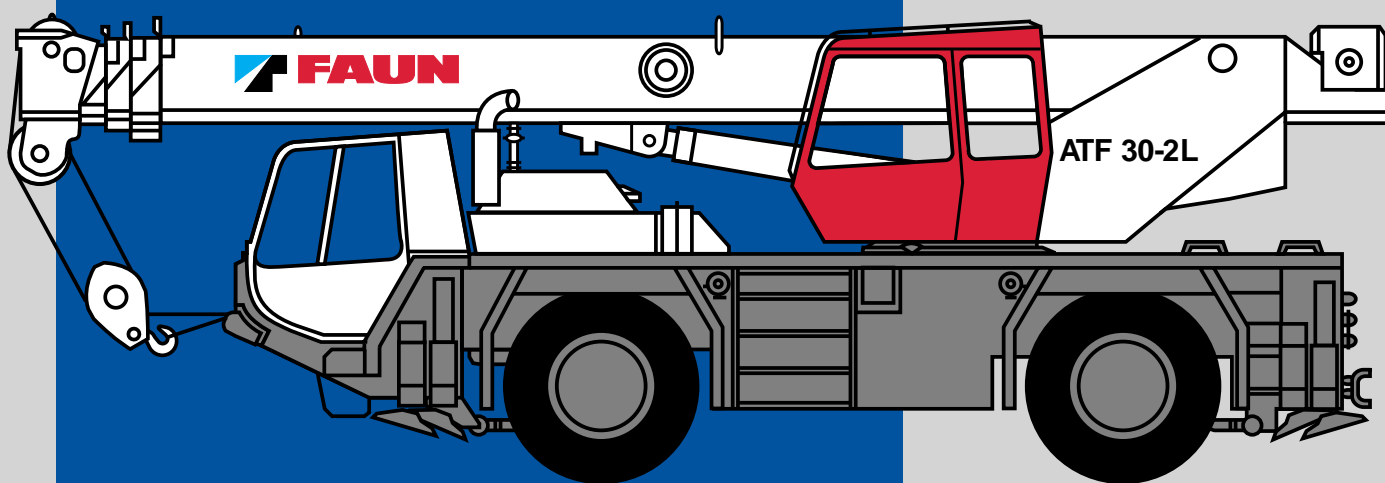


ALL-TERRAIN

**ATF 30-2L**

**KRAN-BURGARD**

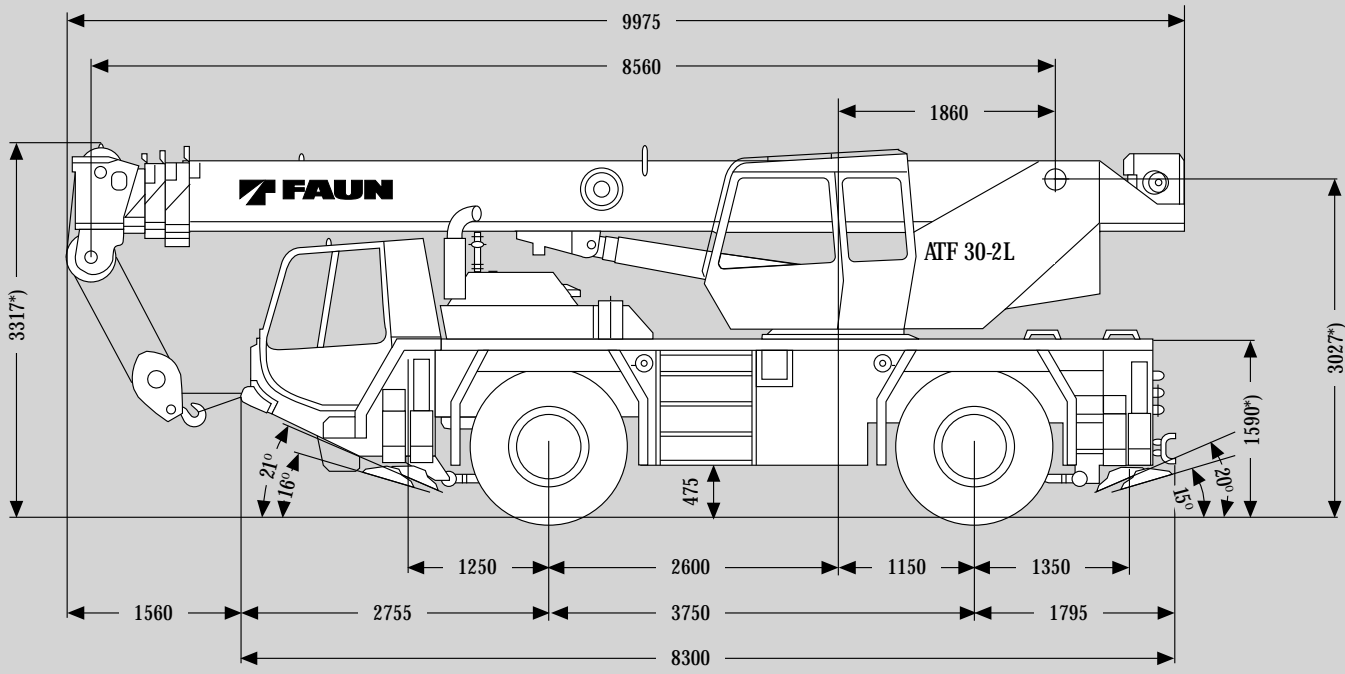
ISO 9001



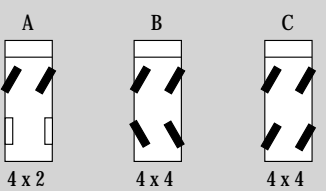
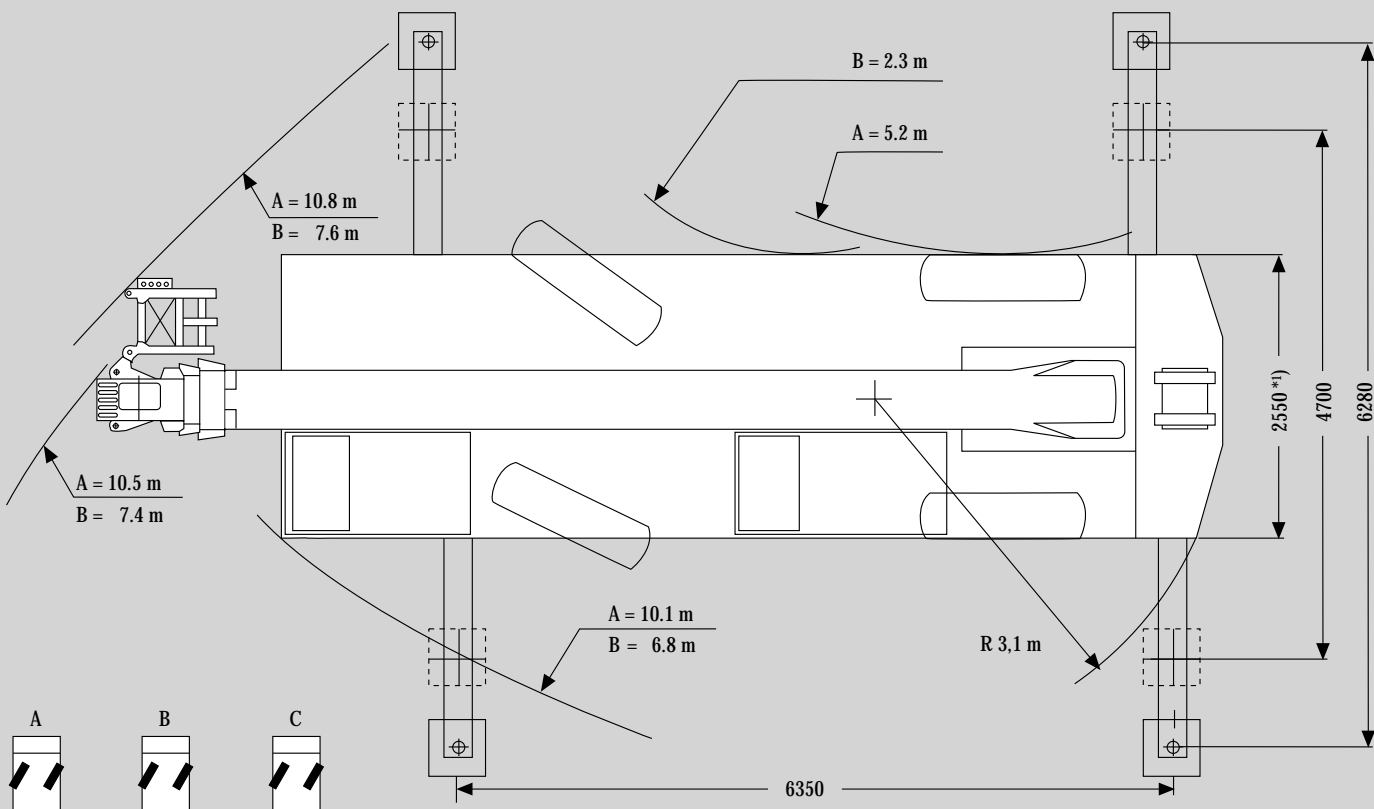
# Kran Burgard

# ATF 30-2L

Autokranvermietung  
Bergungsdienst



\*) +/- 100





fon 06033 / 9693 - 0 fax 06033 / 9693 -40 mail info @ kran-burgard.de



Autokranvermietung  
Bergungsdienst

**DIN**

 m	8.6	11.9	11.9	15.2	15.2	18.5	18.5	18.5	21.9	21.9	25.2	28.5	
2.7	30.0												
3.0	27.0	22.0	13.5	22.0	13.5	13.5	13.5	13.5					
3.5	23.4	22.0	13.5	21.5	13.5	13.5	13.1	13.5					
4.0	21.2	20.7	13.5	20.2	13.5	13.5	12.8	13.5	13.5	9.0	11.0		
4.5	19.6	19.3	13.5	18.7	13.5	13.5	12.2	13.5	13.5	9.0	11.0		
5.0	18.7	18.3	13.5	17.3	13.5	13.5	11.3	13.5	13.5	9.0	11.0	9.0	
6.0	14.8	14.3	13.5	14.8	13.5	13.5	9.9	13.5	13.1	8.6	10.6	9.0	
7.0		12.3	13.3	12.0	12.1	12.0	8.9	12.6	11.4	7.8	10.1	8.7	
8.0		10.0	10.7	9.6	10.8	10.0	7.9	10.5	10.0	7.0	9.3	8.2	
9.0		8.3	8.9	7.9	9.1	8.1	7.2	8.6	8.3	6.3	8.3	7.6	
10.0		7.0	7.7	6.6	7.7	6.9	6.6	7.3	7.0	5.8	7.1	7.0	
11.0				5.6	6.7	5.9	6.1	6.3	6.1	5.3	6.1	6.2	
12.0				4.8	5.9	5.1	5.6	5.6	5.3	4.9	5.4	5.5	
14.0						3.9	4.7	4.4	4.0	4.2	4.1	4.2	
16.0						3.0	3.8	3.4	3.1	3.6	3.2	3.3	
18.0									2.5	3.2	2.6	2.7	
20.0									2.0	2.6	2.1	2.2	
22.0											1.7	1.8	
24.0												1.4	
26.0												1.1	
 %	I	0	50	0	100	0	100	0	50	100	0	100	100
	II	0	0	25	0	50	25	75	50	50	100	75	100
	III	0	0	25	0	50	25	75	50	50	100	75	100



Autokranvermietung  
Bergungsdienst

fon 06033 / 9693 - 0 fax 06033 / 9693 -40 mail info @ kran-burgard.de

... schnell vor Ort  
kompetent, zuverlässig

# Kran Burgard

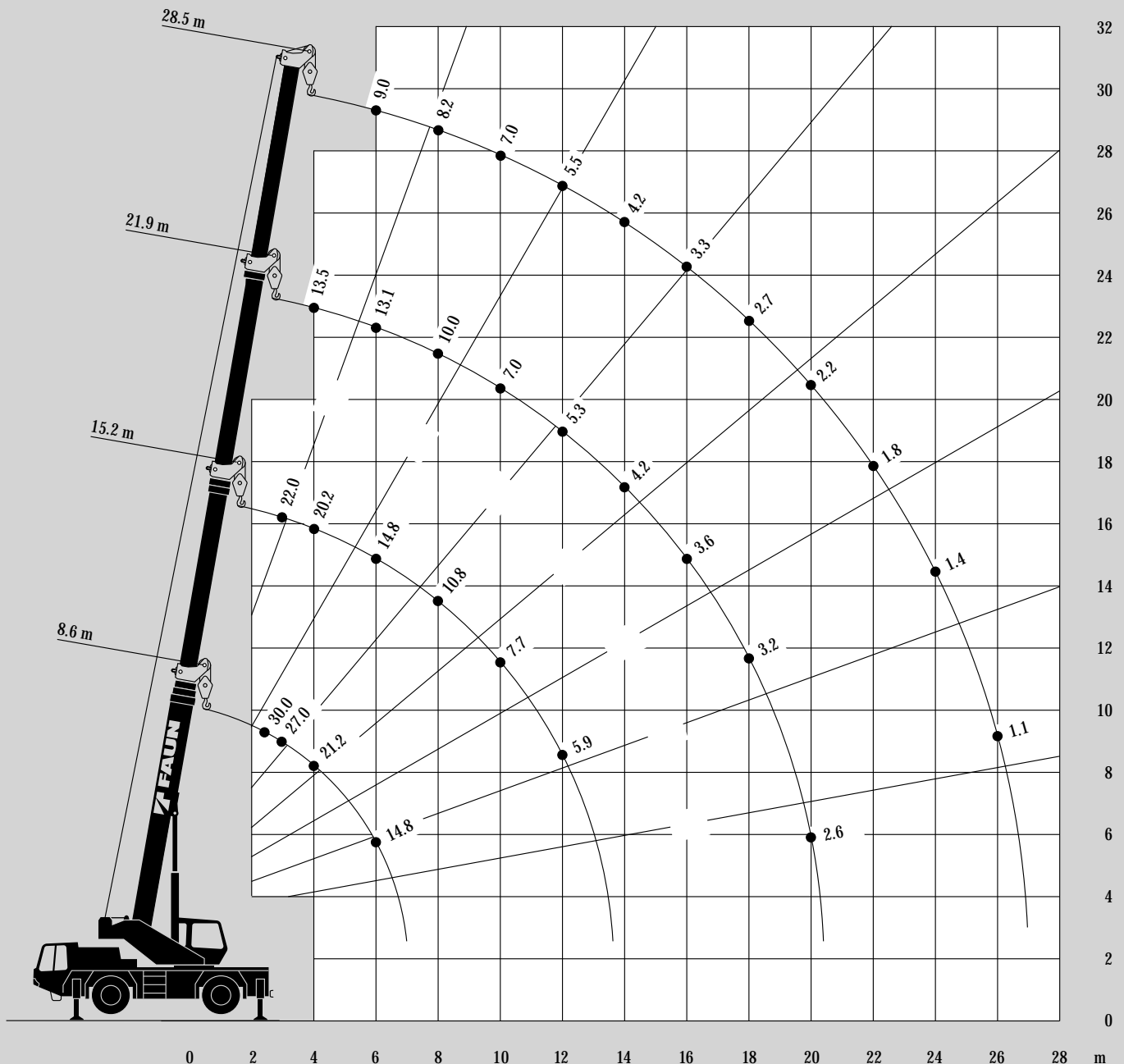
Autokranvermietung  
Bergungsdienst

## ATF 30-2L

Hubhöhen  
Lifting heights  
Hauteurs de levage  
Alturas de elevación

**DIN**

fon 06033 / 9693 - 0 fax 06033 / 9693 -40 mail info @ kran-burgard.de



# Kran Burgard



Autokranvermietung  
Bergungsdienst

## ATF 30-2L

Hubhöhen  
Lifting heights  
Hauteurs de levage  
Alturas de elevación



fon 06033 / 9693 - 0 fax 06033 / 9693 -40 mail info @ kran-burgard.de

