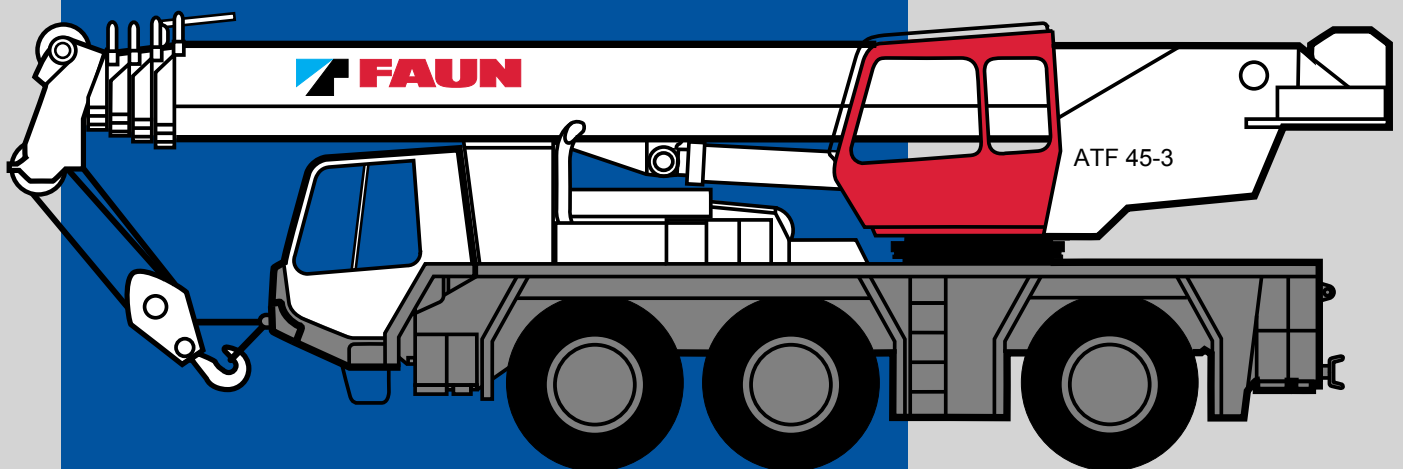


ALL-TERRAIN

ISO 9001

ATF 45-3

KRAN-BURGARD



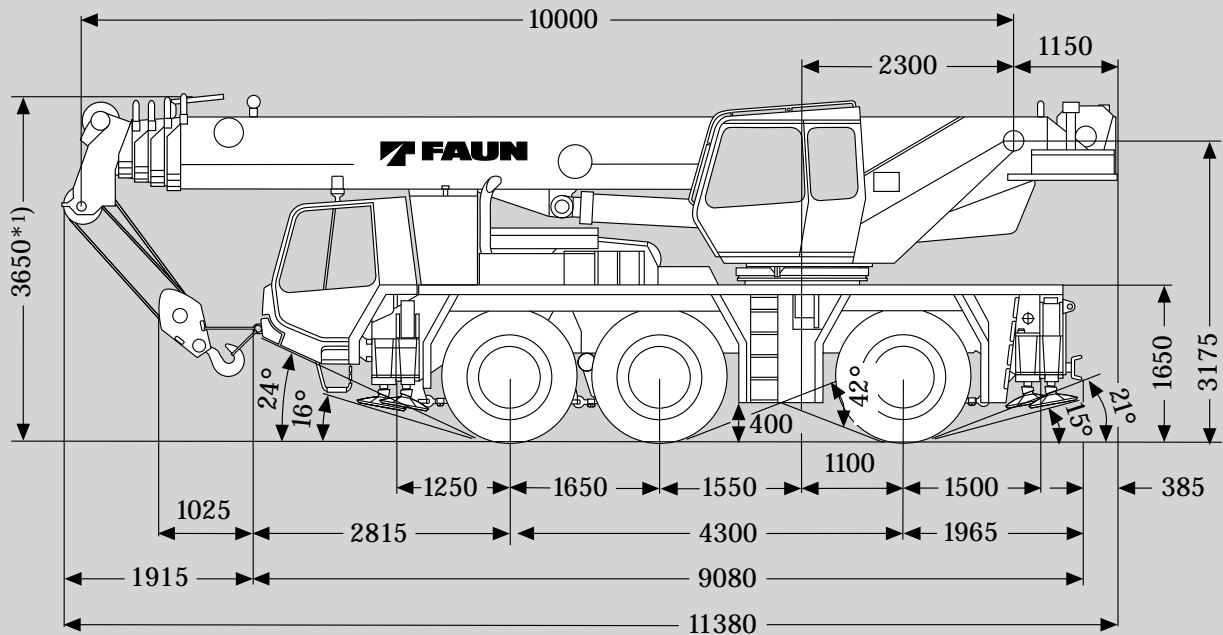
Kran Burgard



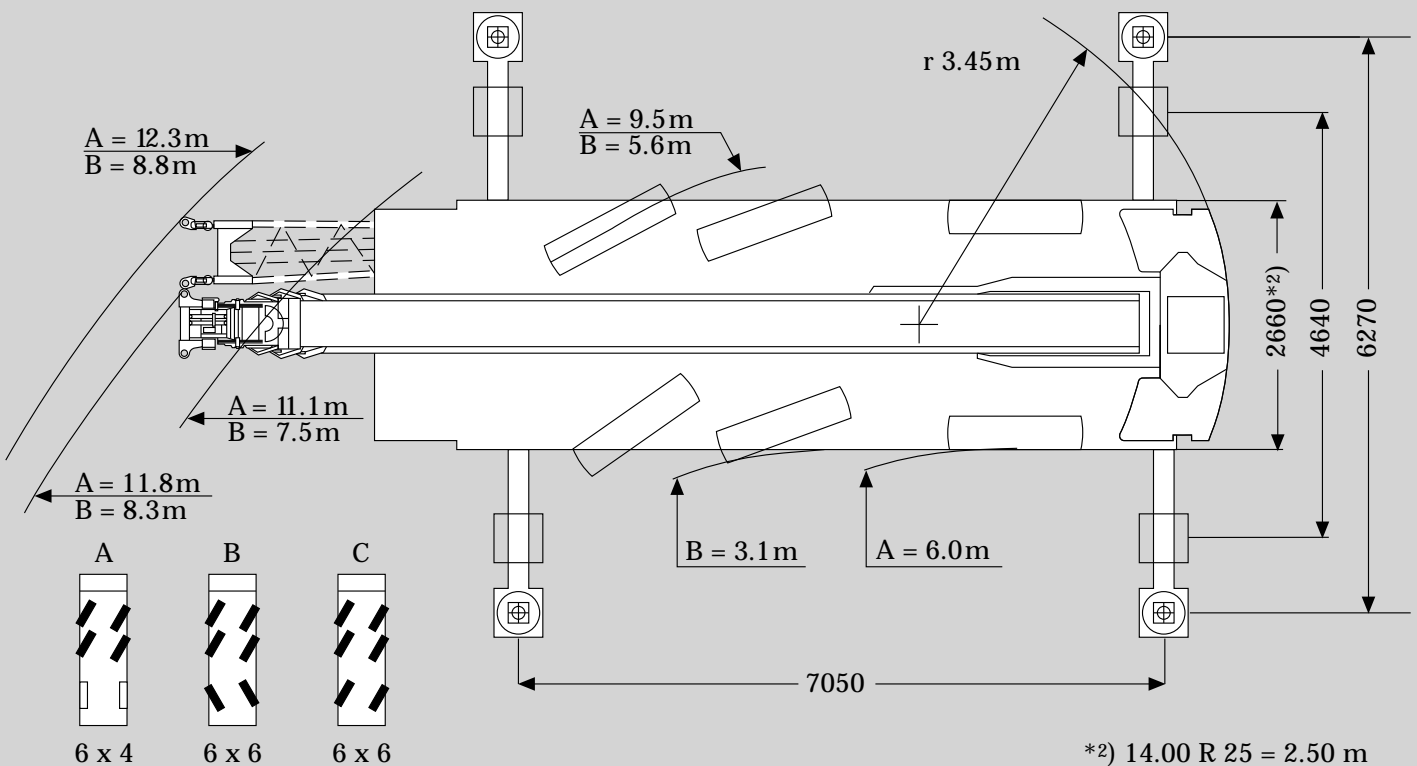
ATF 45-3

Autokranvermietung
Bergungsdienst

fon 06033 - 96930 fax 06033 / 9693-40 info @ kran-burgard.



*1) +/- 100 mm



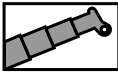
Kran Burgard



ATF 45-3

Autokranvermietung
Bergungsdienst

fon 06033 - 96930 fax 06033 / 9693-40 info @ kran-burgard.

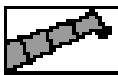


5.6t

DIN

→ m	10.0 m	17.2 m	17.2 m	17.2 m	24.3 m	24.3 m	24.3 m	31.5 m	31.5 m	35.0 m	38.6 m
2.7	50.0										
3.0	45.0										
3.5	40.5	20.0	30.0	13.0							
4.0	37.0	20.0	29.0	13.0							
4.5	34.5	20.0	27.5	13.0							
5.0	31.8	20.0	26.2	13.0	13.0	17.0	11.8				
6.0	26.4	20.0	22.6	13.0	13.0	17.0	11.8	13.0	9.5		
7.0	21.0	20.0	19.4	13.0	13.0	15.8	11.8	13.0	9.2		
8.0		15.7	15.0	13.0	13.0	14.5	11.8	13.0	8.8	9.0	7.0
9.0		12.7	12.1	13.0	13.0	12.5	11.4	12.0	8.5	8.8	7.0
10.0		10.6	10.0	12.0	11.6	10.3	11.0	11.0	8.1	8.5	7.0
11.0		8.8	8.2	10.2	9.9	8.6	10.5	9.5	7.7	8.3	7.0
12.0		7.4	6.8	8.8	8.4	7.2	9.2	8.0	7.4	8.1	7.0
14.0		5.4	4.9	6.7	6.3	5.2	7.0	6.0	6.7	6.0	6.5
16.0					4.9	3.8	5.5	4.4	5.6	4.6	4.8
18.0					3.7	2.7	4.3	3.4	4.5	3.6	3.8
20.0					2.9	1.9	3.5	2.6	3.6	2.8	3.0
22.0					2.3	1.3	2.9	2.0	3.0	2.2	2.4
24.0								1.4	2.5	1.7	1.9
26.0								1.0	2.0	1.2	1.4
28.0								0.7	1.6	0.8	1.0
30.0										0.5	0.7
32.0											
34.0											
36.0											

%	I	0	50	100	0	50	100	0	100	0	100	100
I	0	50	100	0	50	100	0	100	0	100	100	100
II	0	50	0	33	50	100	66	100	100	100	100	100
III	0	0	0	33	50	0	66	50	100	75	100	100
IV	0	0	0	33	50	0	66	50	100	75	100	100

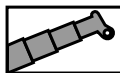


5.6t

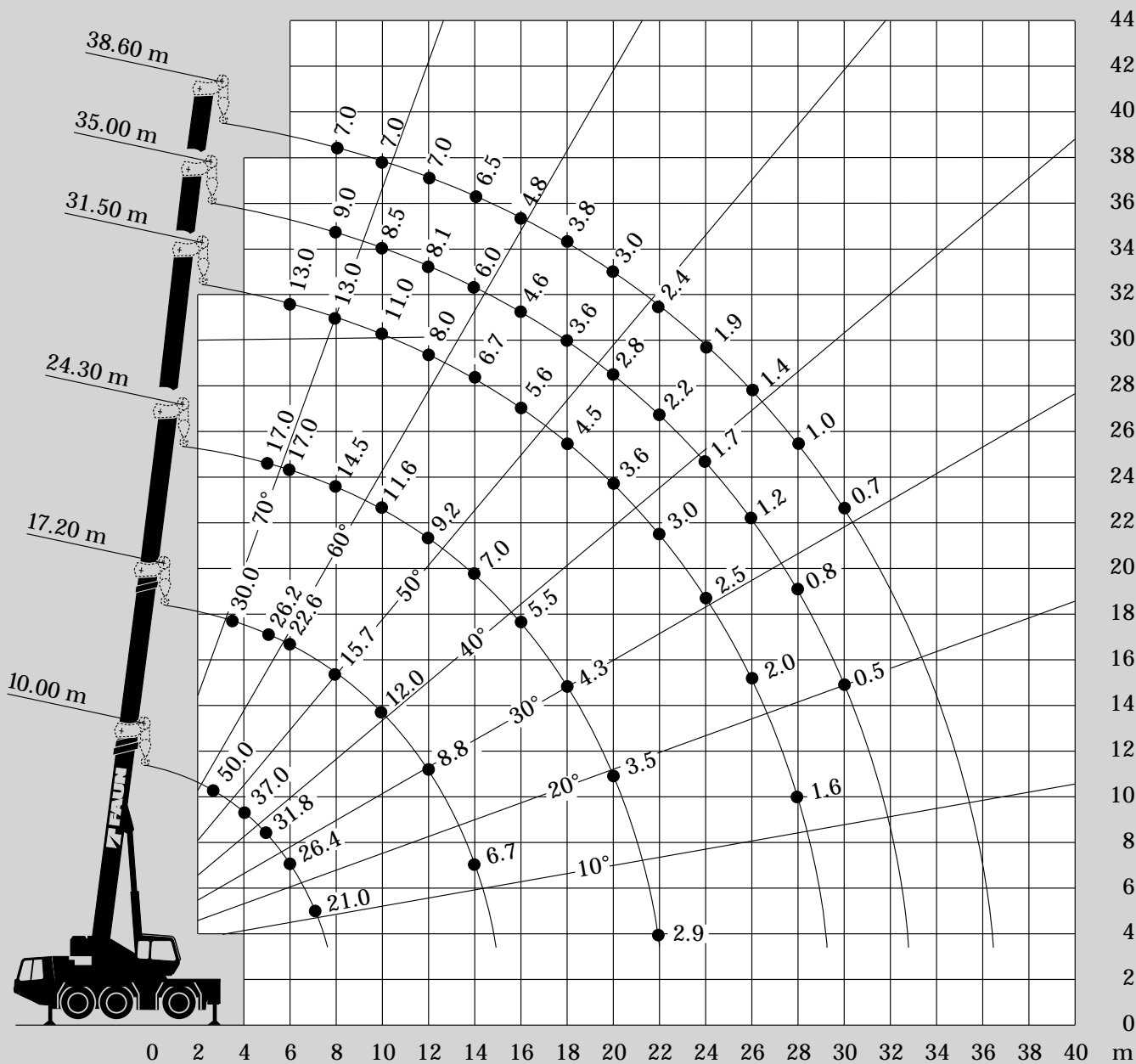
DIN

→ m	35.0 m + 9.0 m			38.6 m + 9.0 m			38.6 m + 16.0 m		
	5°	17°	30°	5°	17°	30°	5°	17°	30°
10.0	4.80			3.80					
11.0	4.80			3.80					
12.0	4.80	4.00	3.00	3.80	3.40		2.20		
14.0	4.60	3.75	2.83	3.80	3.40	2.80	2.20	1.80	
16.0	4.39	3.45	2.66	3.68	3.26	2.60	2.20	1.80	1.30
18.0	3.75	3.15	2.51	3.55	3.12	2.57	2.13	1.73	1.30
20.0	2.90	2.92	2.37	3.00	2.98	2.46	2.06	1.66	1.27
22.0	2.25	2.45	2.25	2.35	2.34	2.34	1.90	1.59	1.23
24.0	1.75	1.90	2.05	1.80	2.00	2.15	1.92	1.51	1.20
26.0	1.30	1.45	1.60	1.40	1.55	1.70	1.85	1.44	1.17
28.0	0.95	1.05	1.20	1.00	1.15	1.25	1.50	1.37	1.13
30.0	0.60	0.70	0.80	0.65	0.80	0.90	1.15	1.30	1.10
32.0			0.50		0.50	0.60	0.85	1.05	1.05
34.0							0.60	0.80	0.95
36.0								0.55	0.70
38.0									
40.0									
42.0									
44.0									
46.0									
48.0									
50.0									

%	I	100	<th>100</th> <th> <th>100</th> </th>	100	<th>100</th>	100
I	100			100		100
II	100			100		100
III	75			100		100
IV	75			100		100



fon 06033 - 96930 fax 06033 / 9693-40 info @ kran-burgard.



fon 06033 - 96930 fax 06033 / 9693-40 info @ kran-burgard.

Kran Burgard

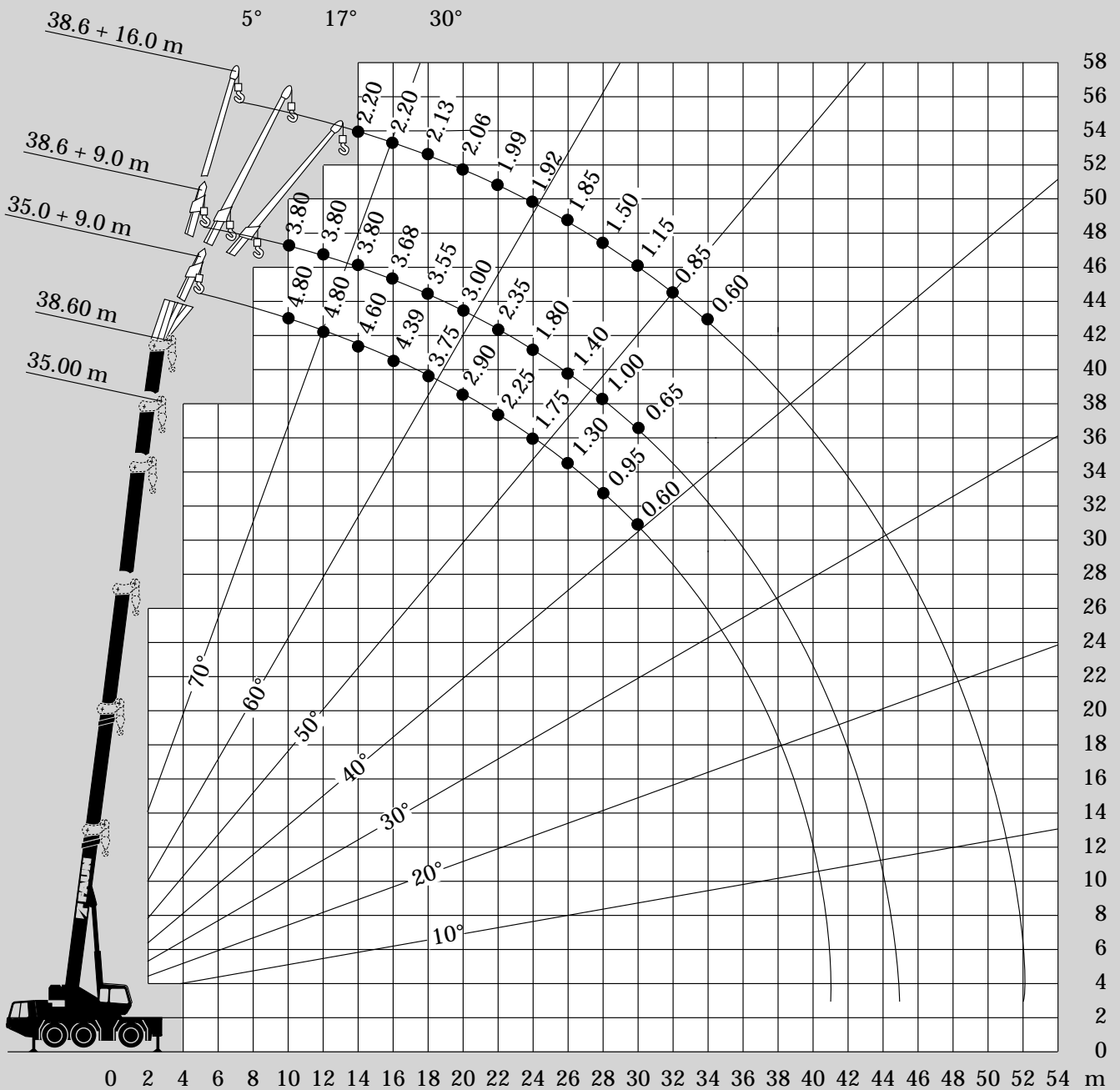
Autokranvermietung
Bergungsdienst

ATF 45-3

Hubhöhen
Lifting heights
Hauteurs de levage
Alturas de elevación



fon 06033 - 96930 fax 06033 / 9693-40 info @ kran-burgard.



fon 06033 - 96930 fax 06033 / 9693-40 info @ kran-burgard.