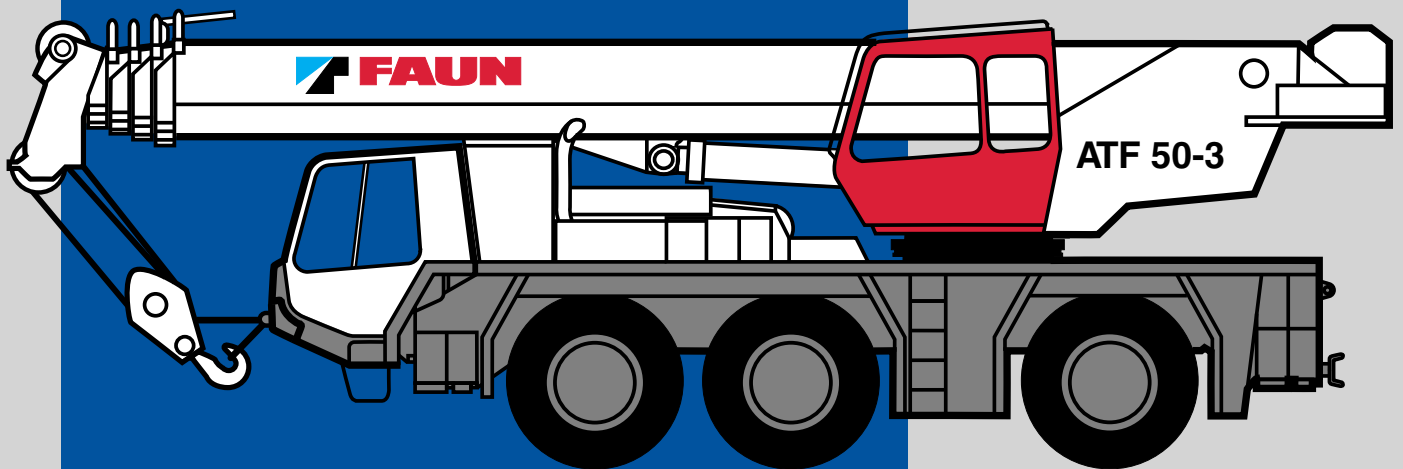


ISO 9001

# ATF 50-3

ALL-TERRAIN

# KRAN-BURGARD

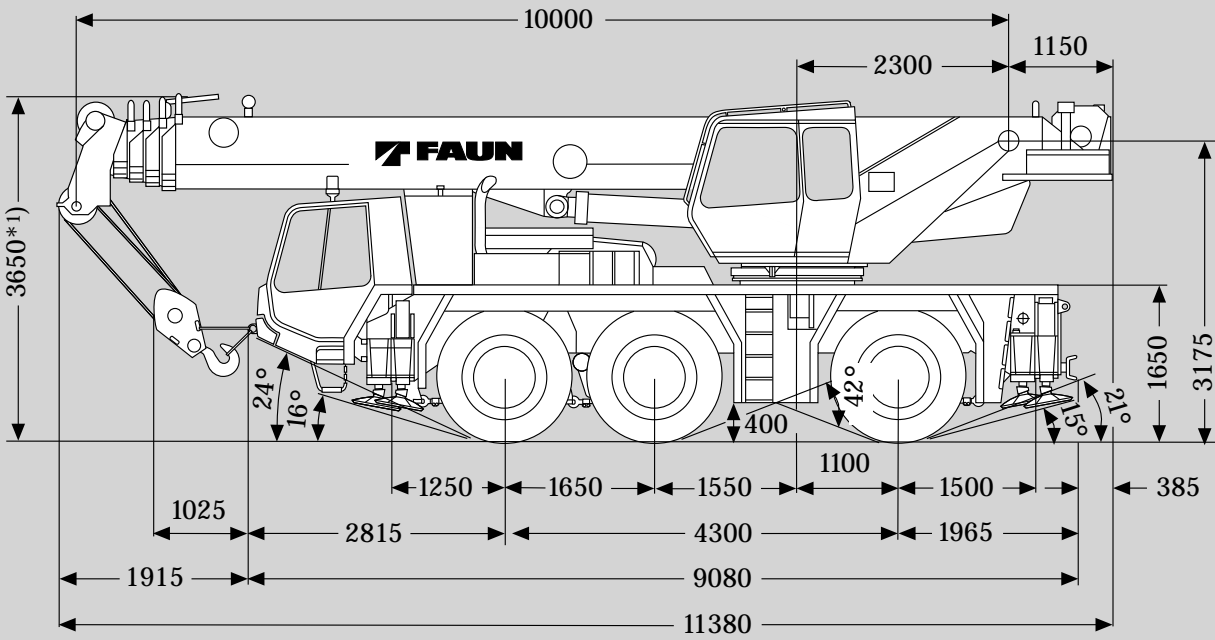


# Kran Burgard

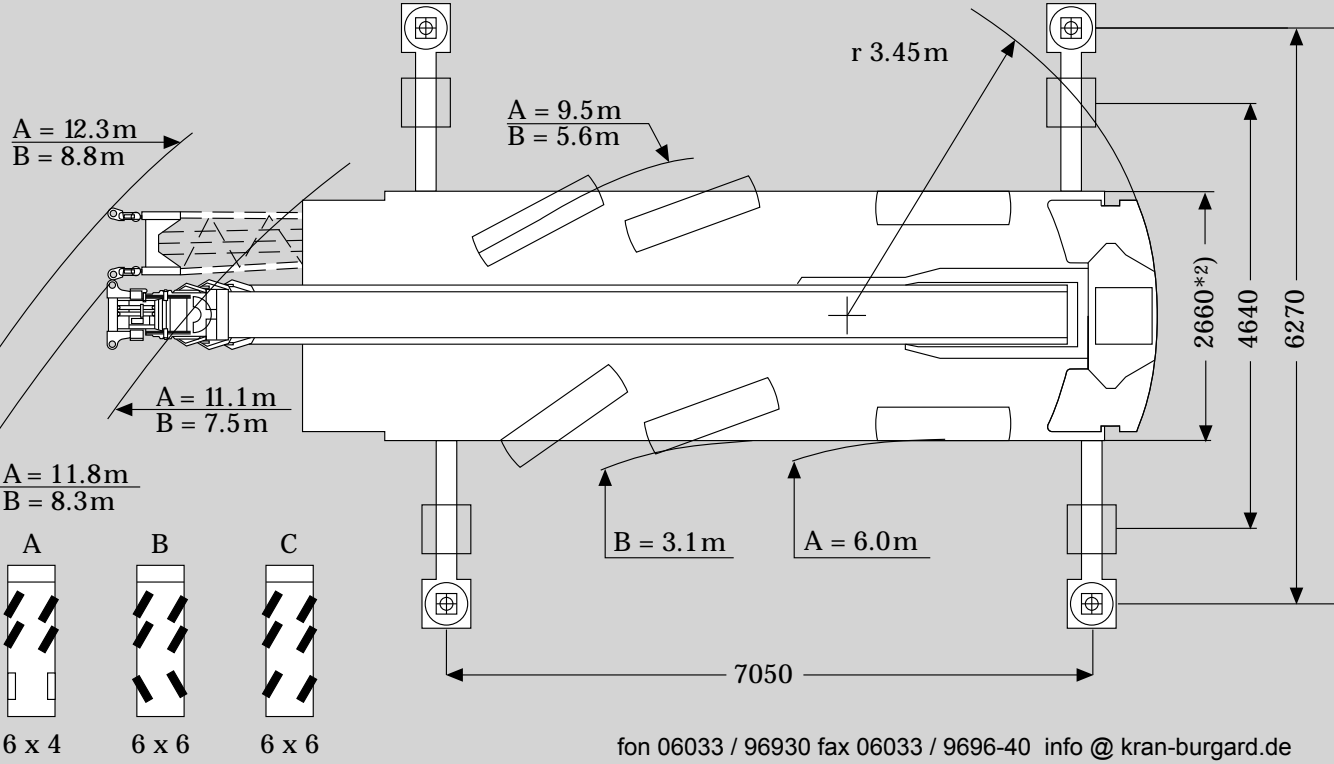


# ATF 50-3 5-Section

Autokranvermietung  
Bergungsdienst



\*1) +/- 100 mm




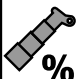
fon 06033 / 96930 fax 06033 / 9696-40 info @ kran-burgard.de




Autokranvermietung  
Bergungsdienst


fon 06033 / 96930 fax 06033 / 9696-40 info @ kran-burgard.de

 m	10.0 m	17.2 m	17.2 m	17.2 m	24.3 m	24.3 m	24.3 m	31.5 m	31.5 m	35.0 m	38.6 m
2.7	50.0										
3.0	47.1										
3.5	43.8	20.0	30.0	13.0							
4.0	39.5	20.0	29.0	13.0							
4.5	35.5	20.0	27.5	13.0							
5.0	32.5	20.0	26.2	13.0	13.0	17.0	11.8				
6.0	27.0	20.0	22.6	13.0	13.0	17.0	11.8	13.0	9.5		
7.0	21.9	20.0	19.8	13.0	13.0	15.8	11.8	13.0	9.2		
8.0		19.4	17.5	13.0	13.0	14.5	11.8	13.0	8.8	9.0	7.0
9.0		15.7	15.1	13.0	13.0	13.3	11.4	12.0	8.5	8.8	7.0
10.0		13.2	12.6	13.0	13.0	12.0	11.0	11.0	8.1	8.5	7.0
11.0		11.2	10.6	12.5	12.2	10.9	10.5	10.1	7.7	8.3	7.0
12.0		9.6	9.1	10.9	10.6	9.4	10.1	9.2	7.4	8.1	7.0
14.0		7.4	6.9	8.6	8.2	7.1	8.8	7.8	6.7	7.6	6.5
16.0					6.4	5.3	7.0	6.0	5.8	6.3	6.1
18.0					5.1	4.1	5.7	4.8	5.1	5.0	5.3
20.0					4.2	3.2	4.8	3.8	4.5	4.1	4.3
22.0					3.5	2.5	4.0	3.1	4.0	3.3	3.5
24.0								2.5	3.6	2.7	2.9
26.0								1.9	2.8	2.1	2.4
28.0								1.5	2.4	1.7	1.9
30.0										1.3	1.5
32.0										1.0	1.2
34.0											0.9
36.0											0.7

 %	I	II	III	IV	I	II	III	IV	I	II	III	IV
I	0	50	100	0	0	50	100	0	0	100	0	100
II	0	50	0	33	50	100	66	100	100	100	100	100
III	0	0	0	33	50	0	66	50	100	75	100	100
IV	0	0	0	33	50	0	66	50	100	75	100	100



 m	35.0 m + 9.0 m			38.6 m + 9.0 m			38.6 m + 16.0 m		
	5°	17°	30°	5°	17°	30°	5°	17°	30°
10.0	4.80			3.80					
11.0	4.80			3.80					
12.0	4.80	4.00	3.00	3.80	3.40		2.20		
14.0	4.60	3.75	2.83	3.80	3.40	2.80	2.20	1.80	
16.0	4.40	3.45	2.66	3.68	3.26	2.69	2.20	1.80	1.30
18.0	4.20	3.15	2.51	3.55	3.12	2.57	2.13	1.73	1.30
20.0	3.75	2.92	2.37	3.43	2.98	2.46	2.06	1.66	1.27
22.0	3.39	2.72	2.25	3.30	2.84	2.34	1.99	1.59	1.23
24.0	2.70	2.53	2.14	2.80	2.70	2.23	1.92	1.51	1.20
26.0	2.20	2.35	2.04	2.25	2.40	2.14	1.85	1.44	1.17
28.0	1.75	1.85	1.96	1.85	1.95	2.05	1.70	1.37	1.13
30.0	1.40	1.50	1.60	1.45	1.60	1.70	1.57	1.30	1.10
32.0	1.05	1.15	1.20	1.15	1.20	1.30	1.46	1.23	1.05
34.0	0.75	0.85	0.90	0.85	0.95	1.00	1.30	1.17	1.01
36.0	0.50	0.55	0.60	0.60	0.65	0.70	1.05	1.11	0.98
38.0							0.80	0.95	0.94
40.0							0.60	0.70	0.80
42.0								0.50	0.60
44.0									
46.0									
48.0									
50.0									

 %	I	II	III	IV	I	II	III	IV	I	II	III	IV
I		100				100				100		
II		100				100				100		
III		75				100				100		
IV		75				100				100		

# Kran



# Burgard

Autokranvermietung  
Bergungsdienst

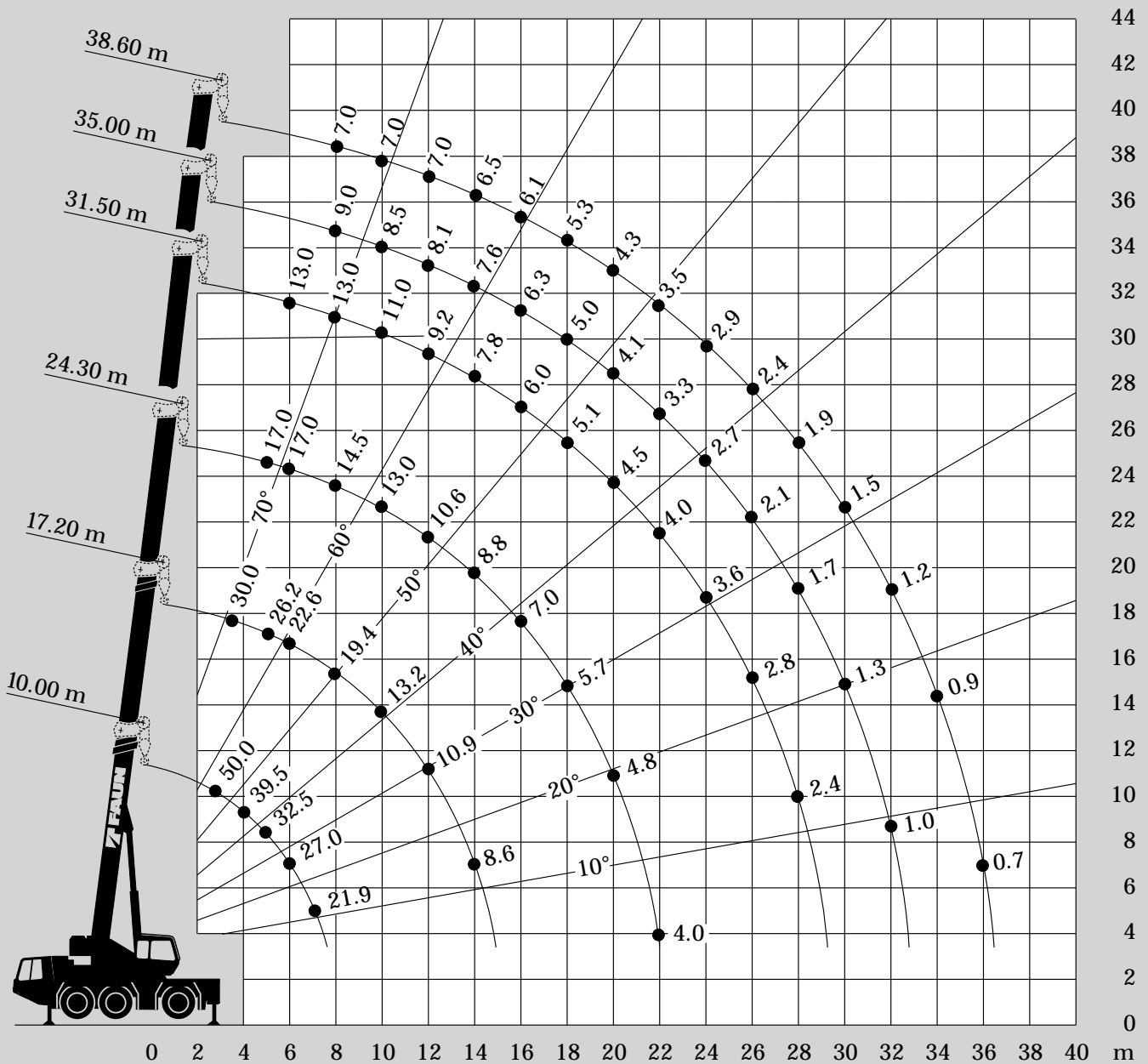
# ATF 50-3

5-Section

Hubhöhen  
Lifting heights  
Hauteurs de levage  
Alturas de elevación



fon 06033 / 96930 fax 06033 / 9696-40 info @ kran-burgard.de



# Kran Burgard

Autokranvermietung  
Bergungsdienst

# ATF 50-3

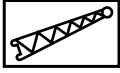
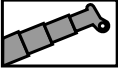
5-Section

Hubhöhen

Lifting heights

Hauteurs de levage

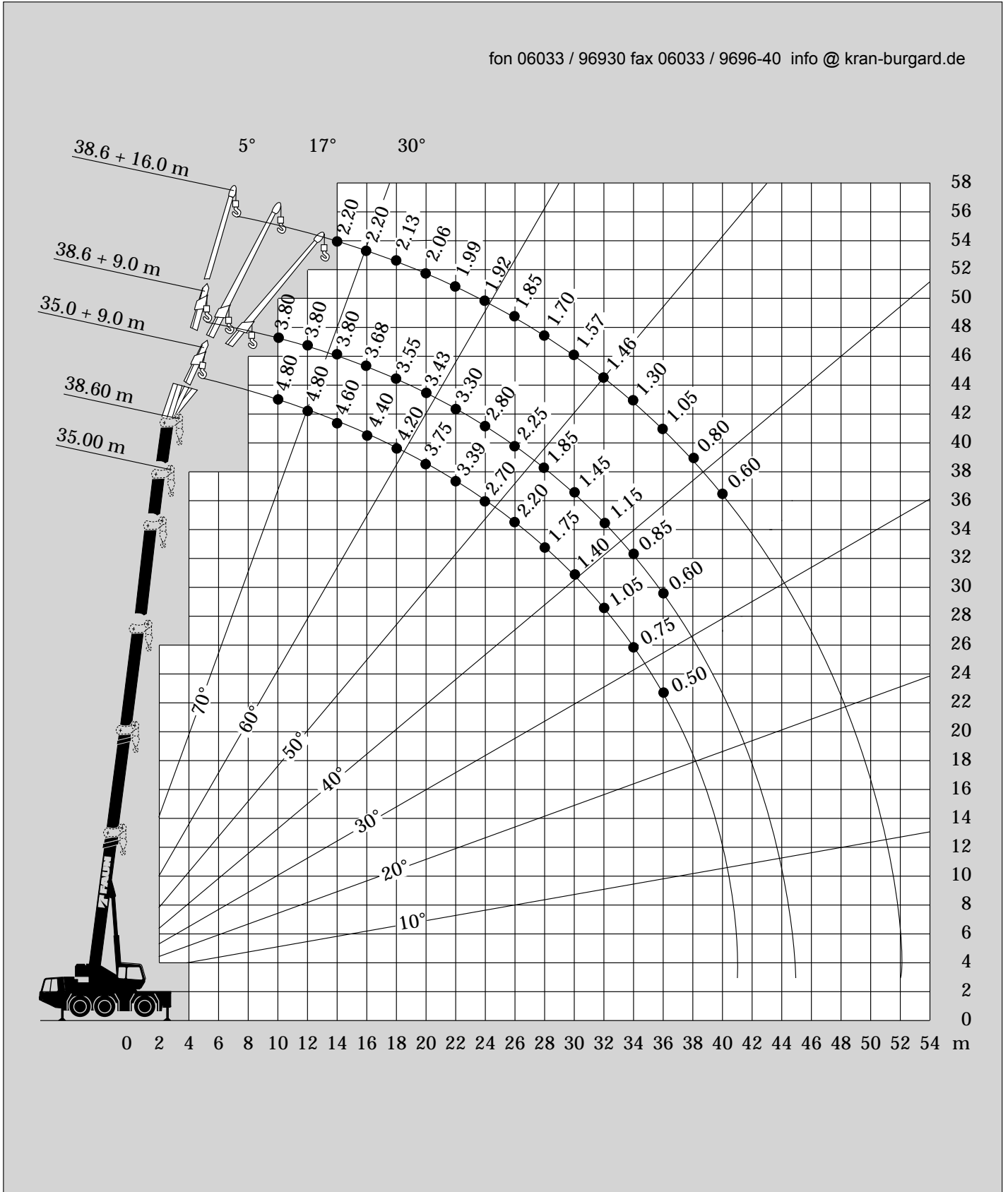
Alturas de elevación



10.2t\*



fon 06033 / 96930 fax 06033 / 9696-40 info @ kran-burgard.de



\*Gegen Mehrpreis / \*Against extra charge / \*Contre supplément de prix / \*Con suplemento de precio